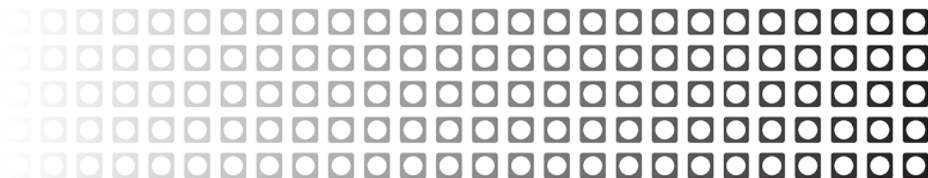


▶ **Range of Application**

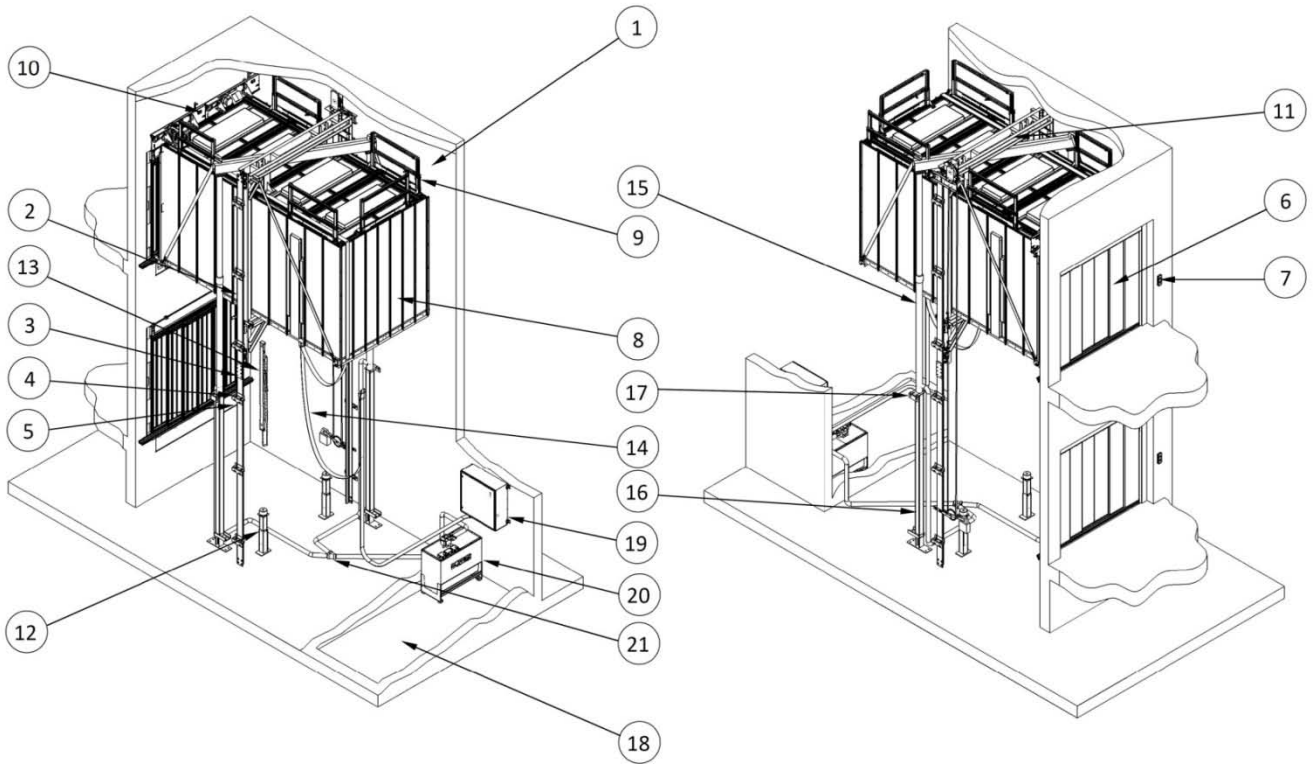
Twin Jack direct [1:1] acting
Hydraulic Lift MR



Contents

3D Layout.....	3
Technical Specification	4
Layout Arrangement.....	5
Single Entrance.....	5
Plan View.....	5
Layout Arrangement.....	6
General Section View.....	6
Πιστοποίηση/ Certification	7

3D Layout



1	Shaft Wall	12	Buffer With Support
2	Car Sling Guide Rails	13	Pit Ladder
3	Car Sling Guide Rail Fishplates	14	Traveling Cable
4	Car Sling Guide Rail Brackets	15	Jack
5	Wall Brackets	16	Jack Tube
6	Landing Doors	17	Jack Tube Support
7	Landing Operating Panel	18	Machine Room
8	Car	19	Controller
9	Car Roof Top Ballustrade	20	Oil Tank
10	Car Door	21	Rubber Hose
11	Car Sling		

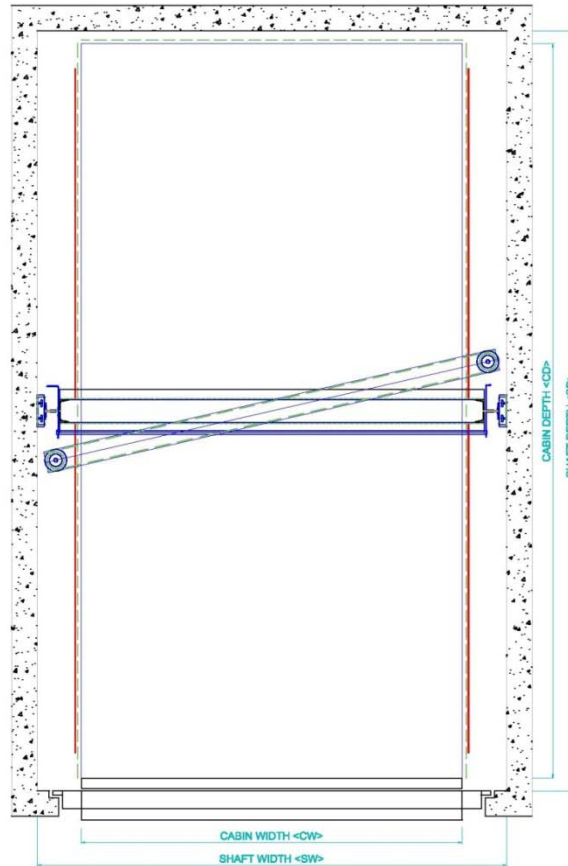
Technical Specification

Type:	HYDRAULIC CAR LIFT			
Rated Load:	1500 Kg	2000 Kg	2500 Kg	3000 Kg
Acting:	1:1	1:1	1:1	1:1
Load on one piston (max)	1700 Kg	2000 Kg	2300 Kg	2700 Kg
Min Headroom:	3200 mm	3200 mm	3200 mm	3200 mm
Min Pit Depth:	1200 mm	1200 mm	1200 mm	1200 mm
Car guide Rails:	T114x89x16	T114x89x16	T127x89x16-3	T127x89x16-3
Car sling type:	HFU 160	HFU 180	HFU 200	HFU 220
Max travel:	3000 mm	3000 mm	3000 mm	3000 mm
Power unit type (max):	D144	D144	D144	D262
Piston (max):	HYDRONIC Ø70x5	HYDRONIC Ø80x5	HYDRONIC Ø90x5	HYDRONIC Ø100x5
Max speed:	0.15 m/s	0.15 m/s	0.15 m/s	0.15 m/s
Maximum motor power:	5.9 Kw	7.7 Kw	9.6 Kw	9.6 Kw
Maximum pump capacity:	70 l/min	96 l/min	115 l/min	145 l/min

Layout Arrangement

Single Entrance

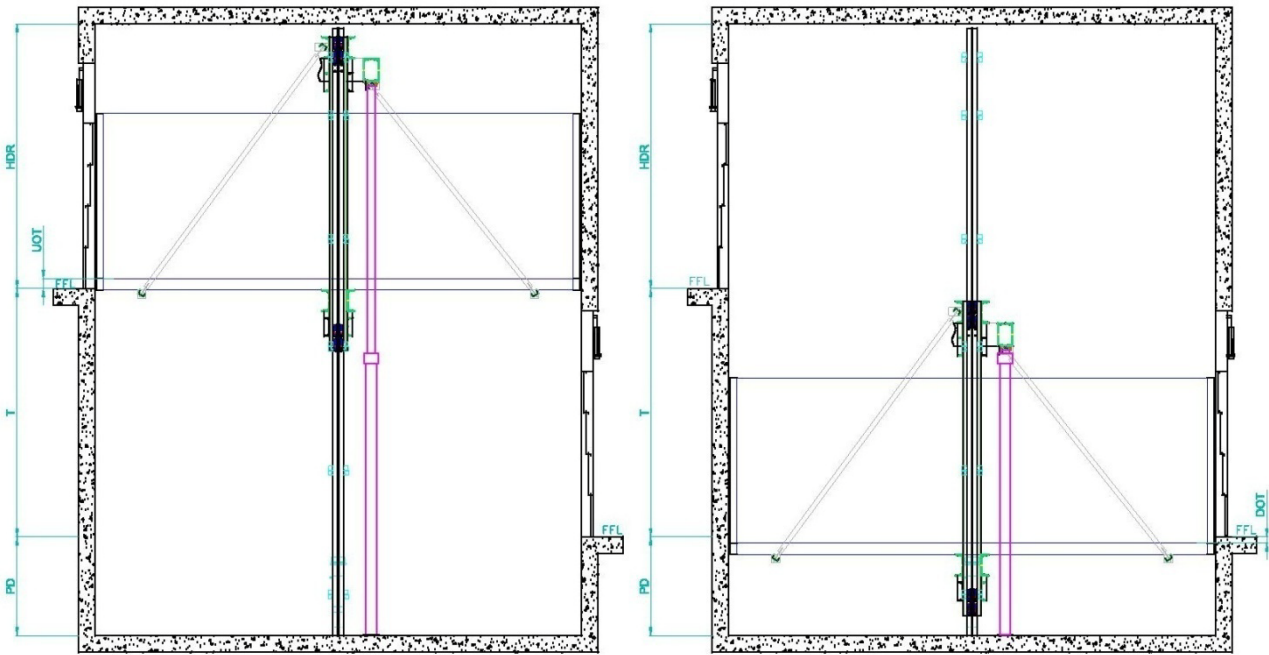
Plan View



Rated Load (kg)	Headroom (mm)	Car Width CW (mm)	Car Depth (mm)	Shaft Width SW (mm)	Shaft Depth SD (mm)	Door Type
1500	3200	2000	4500	2700	4700	4PTV 2000x2000
2000	3200	2000	4800	2700	5000	4PTV 2000x2000
2500	3200	2500	5300	3200	5500	4PTV 2500x2000
3000	3200	3000	5800	3700	6000	4PTV 3000x2000

4PTV: 4 panel telescopic vertical

Layout Arrangement
General Section View



HDR	Headroom	3200 mm(min)
UOT	UP Overtravel	120 mm(min)
T	Travel	3000 mm(max)
PD	Pit Depth	1200 mm(min)
DOT	Down Overtravel	80 mm(min)

Πιστοποίηση/ Certification

