

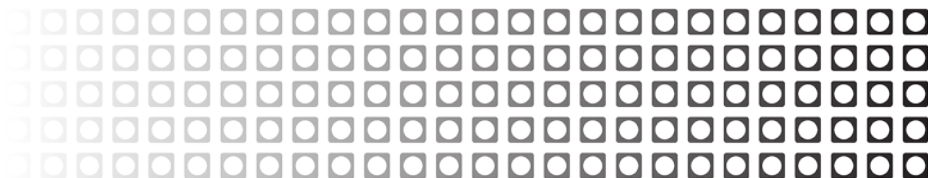
## ▶ **Range of Application**

ECO 2i MRL

ECO 2is MRL

ECO 2 Car Lift

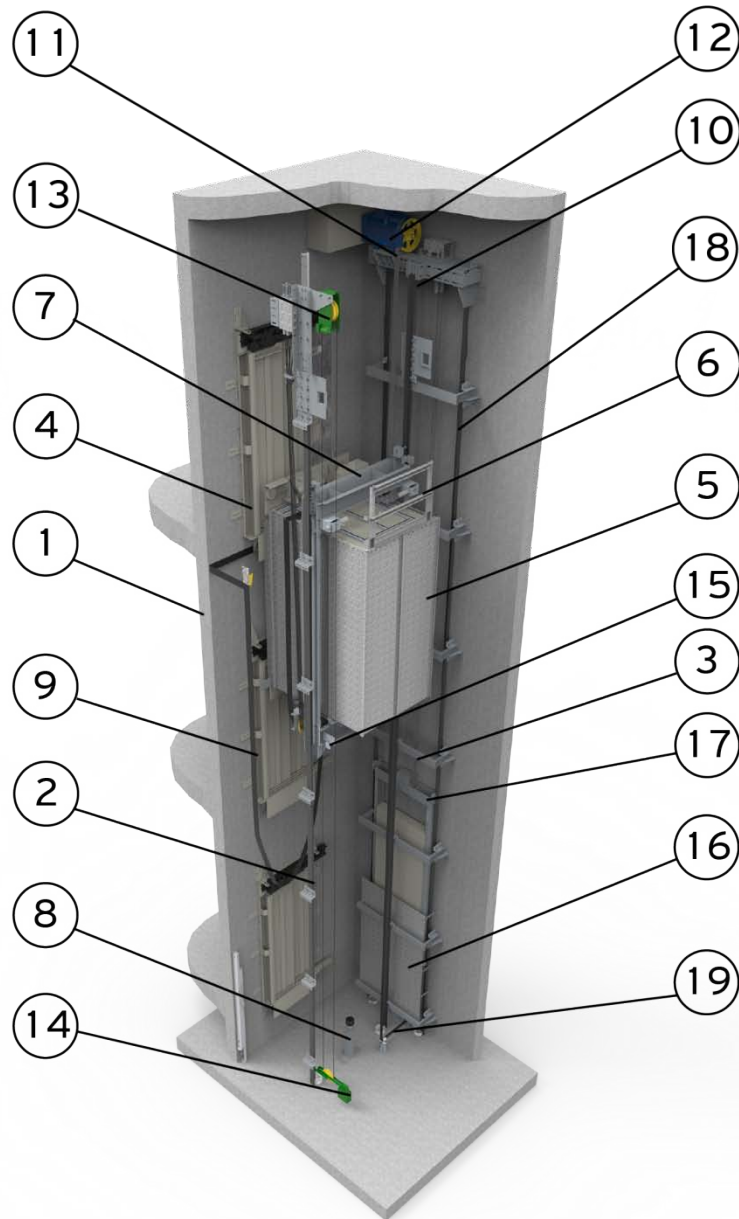
ECO 2 Cargo Lift



## Contents

ECO 2i MRL.....	1
ECO 2is MRL.....	1
ECO 2 Car Lift.....	1
ECO 2 Cargo Lift .....	1
3D Layout ECO2i/ ECO2is .....	3
Technical Specifications ECO2i (1m/s) .....	4
Technical Specifications ECO2i (1,6m/s).....	5
Technical Specifications ECO2is (1m/s) .....	6
3D Layout ECO2 Cargo/Car Lift.....	7
Technical Specifications: .....	8
ECO2 Car Lift (1m/s) and ECO2 Cargo Lift (1m/s) .....	8
Πιστοποίηση/ Certification .....	9

**3D Layout ECO2i/ ECO2is**



1	Shaft Wall	11	Machine Base
2	Guide Rail	12	Gearless machine
3	Guide Rail Brackets	13	Overspeed Governor
4	Landing Doors	14	Tension Weight
5	Car	15	Car Sling Safety Gear
6	Ballustrade	16	Counterweight Protection Cover
7	Car Sling	17	Counterweight Sling
8	Buffer With Support	18	Counterweight Guiderails
9	Flexible Cable	19	Compensation Chain
10	Ropes		

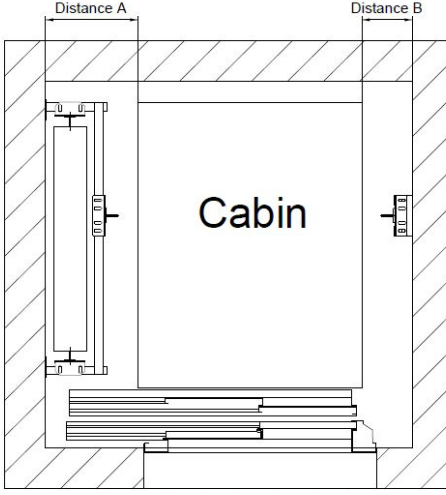
**Technical Specifications ECO2i (1m/s)**


Lift Type	Eco2i 1m/s (2:1)					
<b>Max Capacity</b>	300Kg	450Kg	630Kg	1000Kg	1600Kg	2000Kg
<b>Min PIT</b> EN81-20	1000mm	1000mm	1000mm	1000mm	1150mm	1150mm
<b>Min PIT</b> EN81-21	600mm*	600mm*	600mm*	600mm*	700mm*	700mm*
<b>Min PIT</b> Beyond EN81-20	600mm*	600mm*	600mm*	600mm*	700mm*	700mm*
<b>Min. Headroom</b> EN81-20	3350mm	3350mm	3350mm	3350mm	3750mm	3750mm
<b>Min. Headroom</b> EN81-21	x	2800mm	2800mm	2800mm	3000mm	3000mm
<b>Min. Headroom</b> Beyond EN81-20	2800mm	2800mm	2800mm	2800mm	3000mm	3000mm
<b>Car guide Rails</b>	T70x65x9	T70x65x9	T70x65x9	T82x68x09	T89x62x16	T114x89x16
<b>CW guide Rails</b>	T50x50x5	T50x50x5	T50x50x5	T50x50x5	T70x65x9	T70x65x9
<b>Travel</b>	30000mm**	30000mm**	30000mm**	30000mm**	30000mm**	30000mm**
<b>Min. Distance A</b>	405mm	405mm	405mm	405mm	475mm	495mm
<b>Min. Distance B</b>	195mm	195mm	195mm	200mm	195mm	205mm
<b>Machine Pulley</b>	φ200	φ210	φ240	φ240	φ320	φ320
<b>Standard Shaft</b>	1500x1350	1600x1600	1700x1750	1700x2450	2150x2800	2500x2800
<b>Standard Cabin</b>	900x1000	1000x1250	1100x1400	1100x2100	1450x2400	1750x2400
<b>Standard Door</b>	700mm 2PT	800mm 2PT	900mm 2PT	900mm 2PT	1200mm 2PT	1200mm 2PT

\*For travel more than 30000mm, a compensation chain is added and the pit depth must be ≥ 1000mm.

\*\*Max travel without compensation chain 30000mm. Max travel with compensation chain 100000mm

- Max Load: 2000kg
- Max Speed 2,5m/s (pit depth and headroom might change)
- Low headroom
- Easy maintenance
- Smooth operation
- Competitive price
- Quick production and delivery times
- Automatic emergency operation in case of power failure as a standard.
- Controlled by variable frequency drive system which:
  - is extremely energy efficient,
  - operates almost silently,
  - gives passengers a smooth ride,
  - improves leveling accuracy
- Conformity with EN81-20/50, EN81-21 & EN81-1





**Technical Specifications ECO2i (1,6m/s)**

Lift Type	Eco2i 1,6m/s (2:1)					
<b>Max Capacity</b>	300Kg	450Kg	630Kg	1000Kg	1600Kg	2000Kg
<b>Min PIT</b> EN81-20	1150mm	1150mm	1150mm	1150mm	1300mm	1300mm
<b>Min PIT</b> EN81-21	1050mm	1050mm	1050mm	1050mm	1050mm	1050mm
<b>Min PIT</b> Beyond EN81-20	950mm*	950mm*	950mm*	950mm*	950mm*	950mm*
<b>Min. Headroom</b> EN81-20	3550mm	3550mm	3550mm	3550mm	3950mm	3950mm
<b>Min. Headroom</b> EN81-21	x	3000mm	3000mm	3000mm	3200mm	3200mm
<b>Min. Headroom</b> Beyond EN81-20	3000mm	3000mm	3000mm	3000mm	3200mm	3200mm
<b>Car guide Rails</b>	T70x65x9	T70x65x9	T70x65x9	T82x68x09	T89x62x16	T114x89x16
<b>CW guide Rails</b>	T50x50x5	T50x50x5	T50x50x5	T50x50x5	T70x65x9	T70x65x9
<b>Travel</b>	30000mm**	30000mm**	30000mm**	30000mm**	30000mm**	30000mm**
<b>Min. Distance A</b>	405mm	405mm	405mm	405mm	475mm	495mm
<b>Min. Distance B</b>	195mm	195mm	195mm	200mm	195mm	205mm
<b>Machine Pulley</b>	φ200	φ210	φ240	φ240	φ320	φ320
<b>Standard Shaft</b>	1500x1350	1600x1600	1700x1750	1700x2450	2150x2800	2500x2800
<b>Standard Cabin</b>	900x1000	1000x1250	1100x1400	1100x2100	1450x2400	1750x2400
<b>Standard Door</b>	700mm 2PT	800mm 2PT	900mm 2PT	900mm 2PT	1200mm 2PT	1200mm 2PT

\*For travel more than 30000mm, a compensation chain is added and the pit depth must be ≥ 1050mm.

\*\*Max travel without compensation chain 30000mm. Max travel with compensation chain 100000mm

- Max Load: 2000kg
- Max Speed 2,5m/s (pit depth and headroom might change)
- Low headroom
- Easy maintenance
- Smooth operation
- Competitive price
- Quick production and delivery times
- Automatic emergency operation in case of power failure as a standard.
- Controlled by variable frequency drive system which:
  - is extremely energy efficient,
  - operates almost silently,
  - gives passengers a smooth ride,
  - improves leveling accuracy
- Conformity with EN81-20/50, EN81-21 & EN81-1

Cabin

### Technical Specifications ECO2is (1m/s)

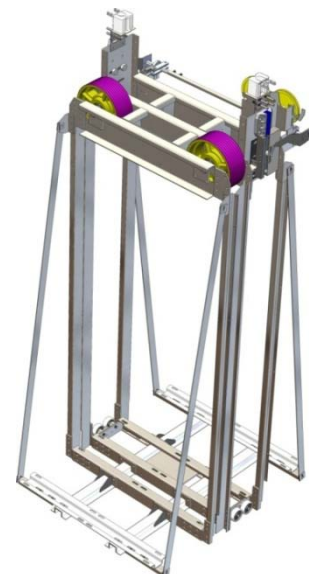
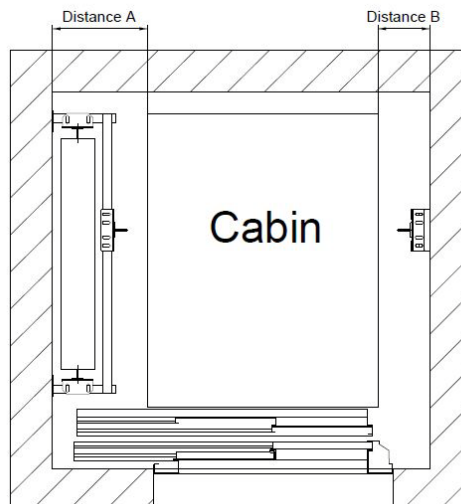
Lift Type	Eco2is 1m/s (2:1)			
<b>Max Capacity</b>	300Kg	450Kg	630Kg	1000Kg
<b>Min PIT</b> EN81-20	1000mm	1000mm	1000mm	1000mm
<b>Min PIT</b> EN81-21	400mm*	400mm*	400mm*	400mm*
<b>Min PIT</b> Beyond EN81-20	250mm*	250mm*	250mm*	250mm*
<b>Min. Headroom</b> EN81-20	3600mm	3600mm	3350mm	3350mm
<b>Min. Headroom</b> EN81-21	x	3300mm	3300mm	3300mm
<b>Min. Headroom</b> Beyond EN81-20	3300mm	3300mm	3300mm	3300mm
<b>Car guide Rails</b>	T70x65x9	T70x65x9	T70x65x9	T82x68x09
<b>CW guide Rails</b>	T50x50x5	T50x50x5	T50x50x5	T50x50x5
<b>Travel</b>	30000mm**	30000mm**	30000mm**	30000mm**
<b>Min. Distance A</b>	375mm	375mm	375mm	380mm
<b>Min. Distance B</b>	165mm	165mm	165mm	170mm
<b>Machine Pulley</b>	Φ240	Φ240	Φ240	Φ240
<b>Standard Shaft</b>	1440x1350	1540x1600***	1640x1750***	1640x2450
<b>Standard Cabin</b>	900x1000	1000x1250	1100x1400	1100x2100
<b>Standard Door</b>	700mm 2PT	800mm 2PT	900mm 2PT	900mm 2PT

\*For travel more than 30000mm, a compensation chain is added and the pit depth must be ≥ 1000mm.

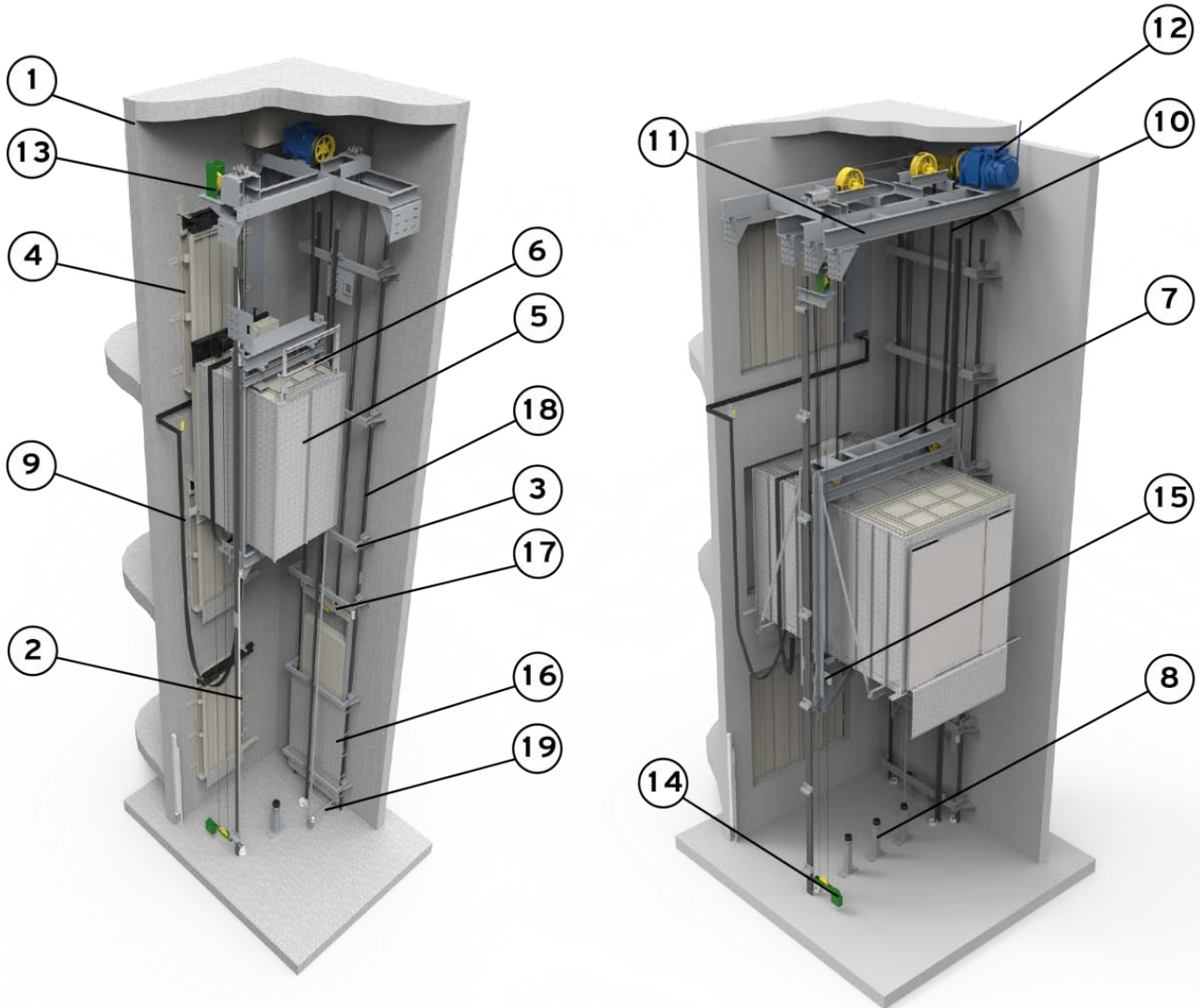
\*\*Max travel without compensation chain 30000mm. Max travel with compensation chain 100000mm

\*\*\*For lifts according to EN81-70 (DDA) the shaft must be 60mm wider

- Max Load: 1000kg
- Max Speed 1m/s
- Low pit
- Easy maintenance
- Smooth operation
- Competitive price
- Quick production and delivery times
- Automatic emergency operation in case of power failure as a standard.
- Controlled by variable frequency drive system which:
  - is extremely energy efficient,
  - operates almost silently,
  - gives passengers a smooth ride,
  - improves leveling accuracy
- Conformity with EN81-20/50, EN81-21 & EN81-1



**3D Layout ECO2 Cargo/Car Lift**



1	Shaft Wall	11	Machine Base
2	Guide Rail	12	Gearless machine
3	Guide Rail Brackets	13	Overspeed Governor
4	Landing Doors	14	Tension Weight
5	Car	15	Car Sling Safety Gear
6	Ballustrade	16	Counterweight Protection Cover
7	Car Sling	17	Counterweight Sling
8	Buffer With Support	18	Counterweight Guiderails
9	Flexible Cable	19	Compensation Chain
10	Ropes		



**Technical Specifications:  
ECO2 Car Lift (1m/s) and ECO2 Cargo Lift (1m/s)**

Lift Type	Eco2 Car Lift 1m/s (4:1)**	Eco2 Cargo Lift 1m/s (2:1)	Eco2 Cargo Lift 1m/s (4:1)		
<b>Max Capacity</b>	3000kg -5000kg	2500kg	3000Kg	4000Kg	5000Kg
<b>Min PIT EN81-20</b>	x	1000mm	1750mm	1750mm	1750mm
<b>Min PIT EN81-21</b>	x	850mm	1500mm	1500mm	1500mm
<b>Min PIT Beyond EN81-20</b>	1500mm	850mm	1450mm	1450mm	1450mm
<b>Min. Headroom EN81-20</b>	x	4550mm	4550mm	4600mm	4600mm
<b>Min. Headroom EN81-21</b>	x	3800mm	4150mm	4150mm	4150mm
<b>Min. Headroom Beyond EN81-20</b>	4150mm	3800mm	4150mm	4150mm	4150mm
<b>Car guide Rails</b>	T127x89x16-3	T114x89x16	T114x89x16	T127x89x16-3	T127x89x16-3
<b>CW guide Rails</b>	T70x65x9	T70x65x9	T70x65x9	T70x65x9	T70x65x9
<b>Travel</b>	30000mm	30000mm	30000mm	30000mm	30000mm
<b>Min. Distance A</b>	550mm	550mm	550mm	550mm	550mm
<b>Min. Distance B</b>	250mm	250mm	250mm	250mm	250mm
<b>Machine Pulley</b>	Φ400	Φ320	Φ400	Φ400	Φ400
<b>Standard Shaft</b>	3800x6600	2600x3100	2650x3600	2800x4200	3200x4200
<b>Standard Cabin</b>	3000x6000	1800x2700	1850x3100	2000x3700	2400x3700
<b>Standard Door</b>	2400mm 4PC*	1600mm 4PC	1700mm 6PC	1800mm 6PC	2100mm 6PC

\* Through car

\*\* Beyond EN81-20/50, EN81-1 standard

- Max Load: more than 5000kg
- Max Speed 1m/s
- Easy maintenance
- Smooth operation
- Competitive price
- Quick production and delivery times
- Automatic emergency operation in case of power failure as a standard.
- Controlled by variable frequency drive system which:
  - is extremely energy efficient,
  - operates almost silently,
  - gives passengers a smooth ride,
  - improves leveling accuracy
- Conformity with EN81-20/50, EN81-21 & EN81-1

Distance A

Distance B

Cabin



**Πιστοποίηση/ Certification**

